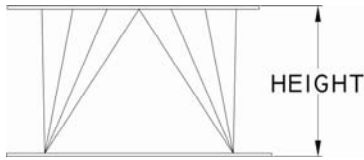


# DIMENSIONS SPECIFICATIONS

## SQUARE TO ROUND & SQUARE TO SQUARE TRANSITIONS



SQUARE	ROUND	HEIGHT
6"	6"	5 1/4"
6"	4"	6"
8"	8"	5 1/4"
8"	6"	6 3/4"
10"	10"	5 1/4"
10"	8"	6 3/4"
10"	6"	8"

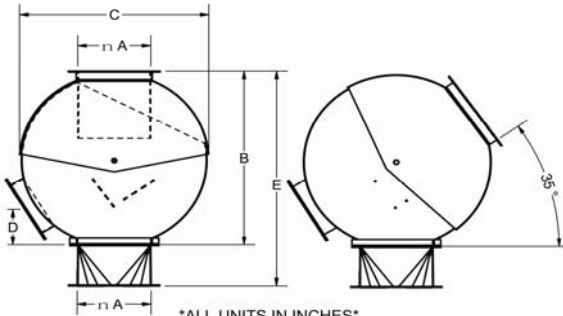
SQUARE	ROUND	HEIGHT
12"	12"	6 1/4"
12"	10"	8"
12"	8"	8"
14"	14"	6 1/4"
14"	12"	3 3/4"
14"	10"	10"

SQUARE	ROUND	HEIGHT
16"	16"	10"
16"	14"	10"
16"	12"	10"
16"	10"	10"
18"	18"	10"
18"	16"	10"
18"	14"	10"

SQUARE	ROUND	HEIGHT
20"	20"	10"
20"	18"	10"
20"	16"	10"
24"	24"	10"
24"	22"	10"
24"	20"	10"

SQUARE TO ROUND AND SQUARE TO SQUARE TRANSITIONS HAVE THE SAME HEIGHT.

## ROUND STYLE CUSHION BOXES

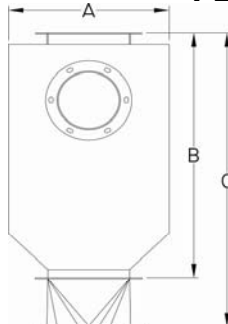


\*ALL UNITS IN INCHES\*

SIZE	A	B	C	D	E	INSP DOOR
6	6 1/8	16 3/8	15 5/8	2 5/8	21 5/8	6
8	8 1/8	21 1/8	20 7/8	3 3/4	26 3/8	6
10	10 1/8	26	26	4 7/8	31 1/4	6
12	12 1/8	31	31 1/8	6 3/8	37 1/4	10
14	14 1/8	36 1/8	36 1/4	7 3/4	42 3/8	10
16	16 1/8	40 7/8	41 3/8	9	50 7/8	10
18	18 1/8	45 7/8	46 1/2	10 1/8	55 7/8	10
20	20 1/8	51	51 5/8	11 1/2	61	10
24	24 1/8	60 5/8	61 3/4	13 7/8	70 5/8	10

CUSTOM SIZES ARE ALSO AVAILABLE. CONTACT PREMIER FOR INFORMATION.

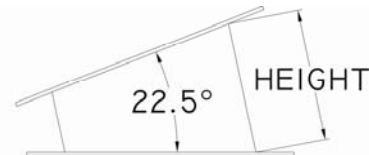
## FLOW RETARDERS



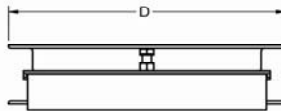
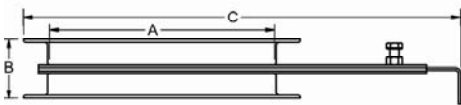
SIZE	A	B	C	DEPTH
6	12	20 1/2	25 3/4	6 1/4
8	16	26 1/2	31 3/4	8 1/4
10	20	32 1/2	37 3/4	10 1/4
12	24	37	43 1/4	12 1/4
14	28	39	45 1/4	14 1/4
16	32	41	51	16 1/4
18	36	45	55	18 1/4
20	40	49	59	20 1/4
22	44	53	63	22 1/4
24	48	57	67	24 1/4

## ADJUSTABLE ELBOWS

SIZE	HEIGHT	SIZE	HEIGHT
6"	5"	16"	10"
8"	6"	18"	11"
10"	7"	20"	12"
12"	8"	22"	13"
14"	9"	24"	14"



## HAND SLIDE GATES

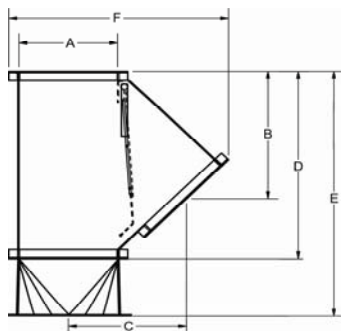


\*ALL UNITS IN INCHES\*

SIZE	A	B	C	D
6	6 1/8	3	13 1/4	8 5/8
8	8 1/8	3	16 3/4	10 5/8
10	10 1/8	3	20 1/4	12 5/8
12	12 1/8	3 1/2	24	15 1/8
14	14 1/8	3 1/2	27 1/2	17 1/8
16	16 1/8	4	31 1/4	19 5/8

## 45° OVERFLOW VALVES

Flanged connections require Grade 5 bolts, flat washers (both sides of flanges), lock washer and nut for each hole.

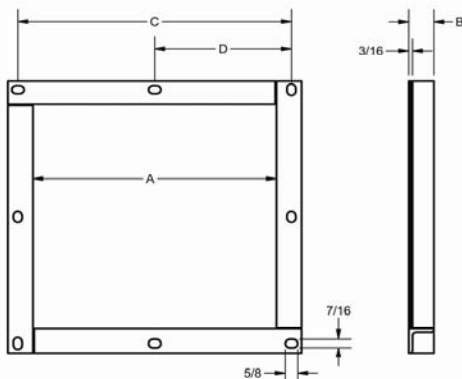


\*ALL UNITS IN INCHES\*

SIZE	A	B	C	D	E	F
6	6 1/8	10 3/4	9 1/2	16 5/8	21 7/8	16 7/8
8	8 1/8	12 7/8	11 1/8	19 3/8	24 5/8	20 1/4
10	10 1/8	15	12 7/8	22 1/4	27 1/2	23 5/8
12	12 1/8	17 1/8	14 5/8	25	31 1/4	27
14	14 1/8	19 5/8	16 1/2	28 3/8	34 5/8	31 1/8
16	16 1/8	21 3/4	18 1/8	31 1/4	41 1/4	34 1/2
18	18 1/8	23 7/8	19 7/8	34	44	37 7/8

NOTE: STANDARD CONSTRUCTED OF 10ga. MATERIAL

## SQUARE ANGLE FLANGES



SIZE	A	B	C	D	E
6"	6 1/8	1 1/4	7 5/8	3 13/16	8
8"	8 1/8	1 1/4	9 5/8	4 13/16	8
10"	10 1/8	1 1/4	11 5/8	5 13/16	8
12"	12 1/8	1 1/2	14	4 21/32	12
14"	14 1/8	1 1/2	16	4	16
16"	16 1/8	1 1/2	18	4 1/2	16
18"	18 1/8	1 1/2	20	5	16
20"	20 1/8	1 3/4	22 1/8	7 3/8	12
22"	22 1/8	1 3/4	24 1/8	6 1/32	16
24"	24 1/8	1 3/4	26 1/8	6 17/32	16
26"	26 1/8	1 3/4	28 1/8	7 1/32	16
28"	28 1/8	2	30 3/8	7 13/32	16
30"	30 1/8	2	32 3/8	6 15/32	20
32"	32 1/8	2	34 3/8	6 7/8	20
34"	34 1/8	2	36 3/8	7 9/32	20
36"	36 1/8	2	38 3/8	6 13/32	24
38"	38 1/8	2	40 3/8	6 23/32	24
40"	40 1/8	2	42 3/8	7 1/16	24

# OF HOLES  
 ODD SIZE I.D. AVAILABLE UPON REQUEST  
 SPECIAL HOLE SIZES AND SPACING AVAILABLE UPON REQUEST

SPECIFICATIONS SUBJECT TO CHANGE WITHOUT NOTICE.