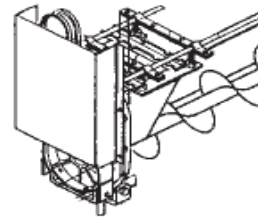


COMMERCIAL BIN UNLOAD

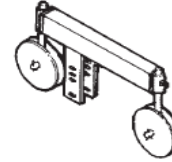
COMMERCIAL KLEAN SWEEP REPLACEMENT HEAD DRIVE w/OIL BATH REDUCTION

Description	# Belts	Price
68 Commercial Sweep 2:-1 Chain Reduction Oil Bat	2	★
810 Commercial Sweep 2:1 Chain Reduction Oil Bat	2	★
1012 Commercial Sweep 3:1 Chain Reduction Oil Bat	2	★
1214 Commercial Sweep 3:1 Chain Reduction Oil Bat	3	★
1214 Commercial Sweep 5:1 Gear Reduction 80' - 120' Bin Di:	3	★



SWEEP CARRIER

Description	Wt.	Price
Used on 68 & 810 Series	28	★
Used on 1012 & 1214 Series	48	★

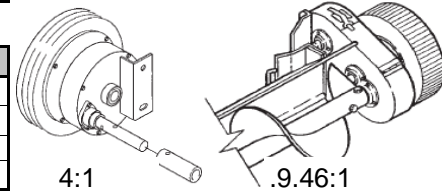


REPLACEMENT UHMW WHEELS FOR SWEEPS

Description	Price
7" O.D. For 68 CKS UHMW Wheel (For Sweeps w/ Threaded Shafts)	★
9" O.D. For 810 CKS UHMW Wheel (For Sweeps w/ Threaded Shafts)	★
11" O.D. For 1012 CKS UHMW Wheel (For Sweeps w/ Threaded Shafts)	★

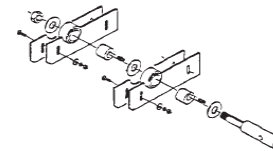
REDUCTION SWEEP WHEELS

Description	Price
Reduction end wheel for 68 series Commercial Klean Sweep 4:1 Ratio	★
Reduction end wheel for 810 series Commercial Klean Sweep 4:1 Ratio	★
Reduction end wheel for 7" O.D. LEFT HAND Sweep Flight 4:1 Ratio	★
Reduction end wheel for 1012 series Commercial Klean Sweep 9.46:1 Ratio	★



SWEEP WALKER

Description	Price
Sweep Walker for 68 series Commercial Klean Sweep	★
Sweep Walker for 810 series Commercial Klean Sweep	★
Sweep Walker for 1012 Commercial Klean Sweep	★



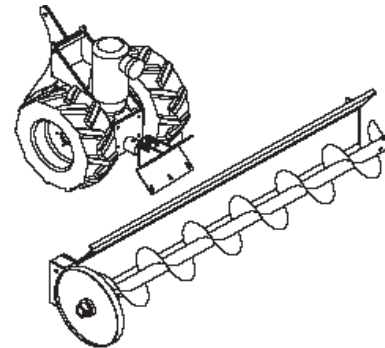
Tractors are driven by a gear motor separate from the Clean Sweep drive and can be operated from a separate control.

TRACTOR FOR 1012 SERIES SWEEPS

Description	Price
Single Phase TEFC Moto	★
Single Phase Explosion Proof Motc	N/A
Three Phase 208-230/460 Volt Moto	★
Three Phase 208-230/460 Volt Explosion Proof Motc	★
Three Phase 575 Volt TEFC Moto	★

TRACTOR FOR 1214 SERIES SWEEPS

Description	Price
Single Phase TEFC Moto	★
Single Phase Explosion Proof Motc	N/A
Three Phase 208-230/460 Volt Moto	★
Three Phase 208-230/460 Volt Explosion Proof Motc	★
Three Phase 575 Volt TEFC Moto	★



All Series 1012 Sweeps and Series 1214 36'-59' tractors do not include weights. Two tractor weights are included with 60'-80' bin sweeps and four tractor weights are included with 88'-120' bin sweeps.

SWEEP TRACTOR WEIGHTS	Price
50 lb Cast Iron Weight	★

WEIGHT STANDS (REQUIRED FOR ADDING ADDITIONAL WEIGHT)

Description	Weight	Price
Weight Stand & 2 weights - Prior to April 2001	131	★
Weight Stand & 2 weights - Prior to April 2001	136	★

1012 SERIES TRACTOR OPTIONS - ADD PRICE TO STANDARD SWEEP

Single Phase TEFC Moto	★
Single Phase Explosion Proof Motc	N/A
Three Phase 208-230/460 Volt TEFC Moto	★
Three Phase 208-230/460 Volt Explosion Proof Motc	★
Three Phase 575 Volt TEFC Moto	★

1214 SERIES TRACTOR OPTIONS - ADD PRICE TO STANDARD SWEEP

Single Phase TEFC Moto	★
Single Phase Explosion Proof Motc	★
Three Phase 208-230/460 Volt TEFC Moto	N/A
Three Phase 208-230/460 Volt Explosion Proof Motc	★
Three Phase 575 Volt TEFC Moto	★